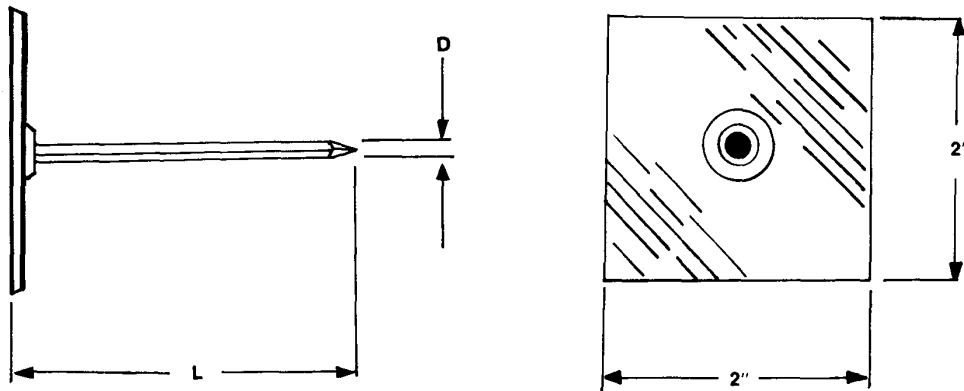




INSUL-ANCHORS

SELF-STICK



SIZE	D	12GA (.105") is standard. Other sizes available by special order only.
LENGTH	L	1", 1-5/8, 2", 2-1/2, 3-1/2, 4-1/2, 5-1/2 and 6-1/2 are standard. Other lengths available by special order.

MATERIAL:	LOW CARBON STEEL
PLATING:	Corrosion resistant coating is standard.

OTHER MATERIALS:

Also available by special order in all Stainless Steel or all Aluminum.

Plate

MATERIAL:	LOW CARBON STEEL
PLATING:	Corrosion resistant coating is standard.

TO ORDER OR SPECIFY GIVE:

1. Size 12GA
2. Length L
3. Material (If other than standard)

WASHERS: Self-locking washers are available in a variety of sizes, shapes, and materials.

All information contained herein is subject to change without notice.
For more information-consult your nearby Continental Field sales representative.

